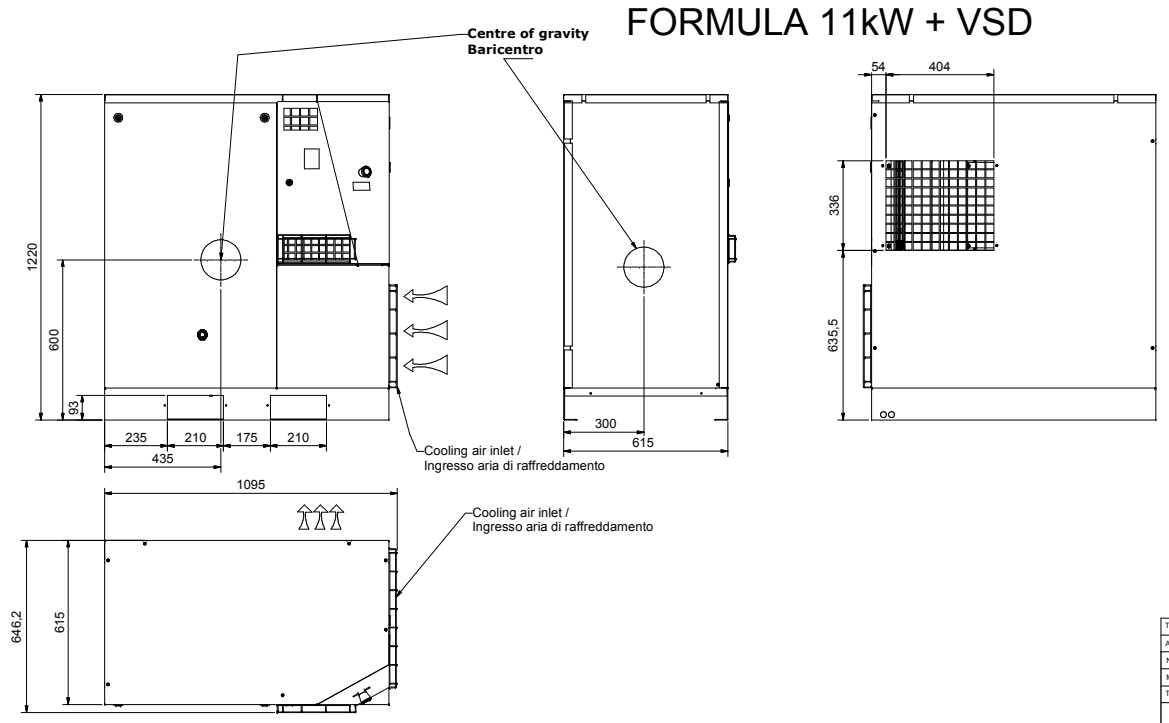
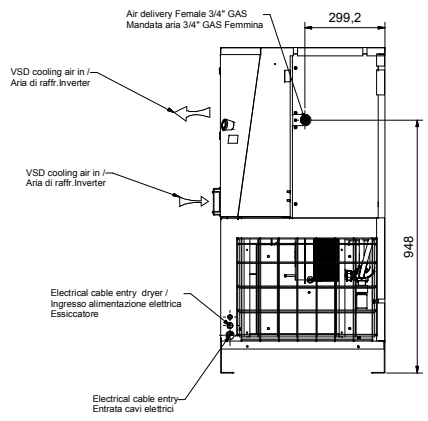
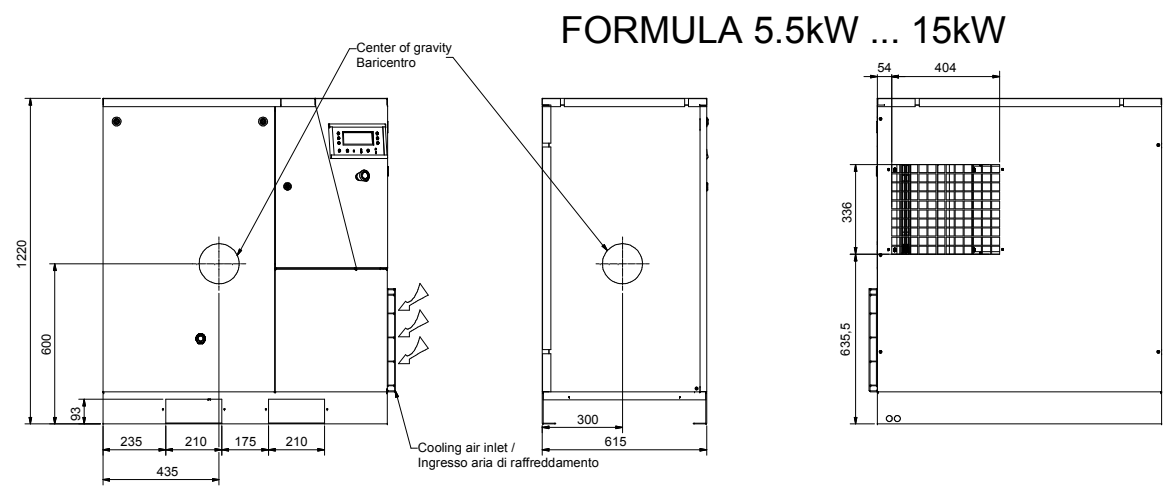
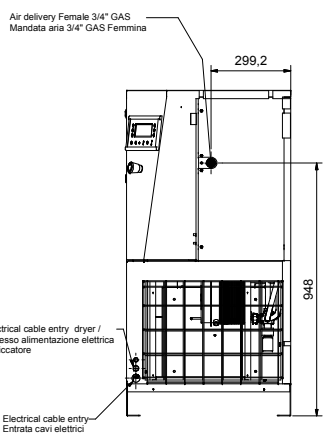


CONFIDENTIAL: This document is a property of Atlas Copco and its use is limited to the specific project for which it was prepared. It is not to be distributed outside the project team.



All materials supplied are in compliance with the requirements of the List of Prohibited Substances

Tolerances, if not indicated, according to:					
ATLAS COPCO STANDARD CLASS					
Name	-	Secretary Class	152 K / 2		
Material					
Treatment				INV	
		Scale	1:10	Family	A1 Compare
Drawn by	afalone	Blank nr.		Replaces	CAI
Version Dwg	30/00	Blank wt.	kg	591.120	kg
Rev checked		Prod checked		Approved	[Date]
9828493001		00.00		2010/09/21	
Parent 3D model	Ed. Version 3D	Preliminary			
9828493001					Sheet 1 / 1

00.00			2010/09/21	
Ed.	Posi- tion	Gewijzigd van Modified from	Datum Date	Ingr./Goedg Inr./Appd.